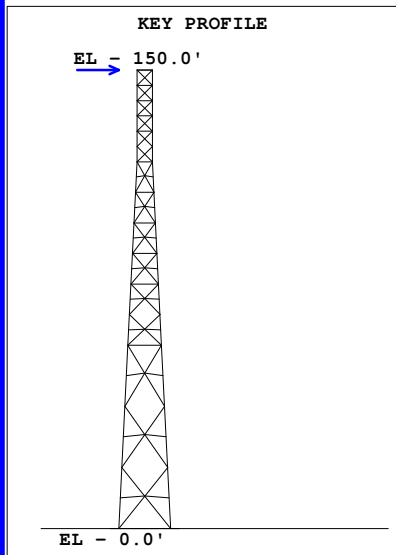
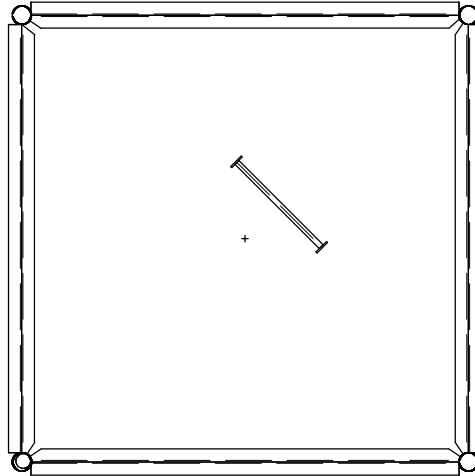


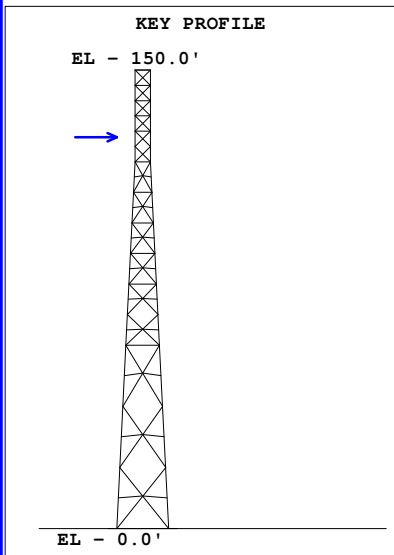
Plan - 1 El 150.00' Fw - 5.00'



	<p>Since 1980</p> <p><b>Weisman Consultants Inc.</b></p> <p>1110 Finch Avenue West, Suite 814, Downsview, Ontario M3J 2T2  towers@weisman-consultants.com Tel: (416) 736-7453 Fax: (416) 736-4372</p>								
	<table border="0"> <tr> <td>Client: WCI Client</td> <td>Job No: 924233</td> <td>Date: 24 sep 2004</td> </tr> <tr> <td>Location: Some City, New York</td> <td>Total Height: 150.00'</td> <td>Tower Height: 150.00'</td> </tr> <tr> <td>Standard: EIA-222-F</td> <td colspan="2">Design Wind &amp; Ice: 100 mph, no ice</td> </tr> </table>	Client: WCI Client	Job No: 924233	Date: 24 sep 2004	Location: Some City, New York	Total Height: 150.00'	Tower Height: 150.00'	Standard: EIA-222-F	Design Wind & Ice: 100 mph, no ice
Client: WCI Client	Job No: 924233	Date: 24 sep 2004							
Location: Some City, New York	Total Height: 150.00'	Tower Height: 150.00'							
Standard: EIA-222-F	Design Wind & Ice: 100 mph, no ice								



Plan - 2 El 128.00' Fw - 5.00'



Since 1980

**Weisman Consultants Inc.**

1110 Finch Avenue West, Suite 814, Downsview, Ontario M3J 2T2  
towers@weisman-consultants.com Tel: (416) 736-7453 Fax: (416) 736-4372

Client: WCI Client

Job No: 924233

Date: 24 sep 2004

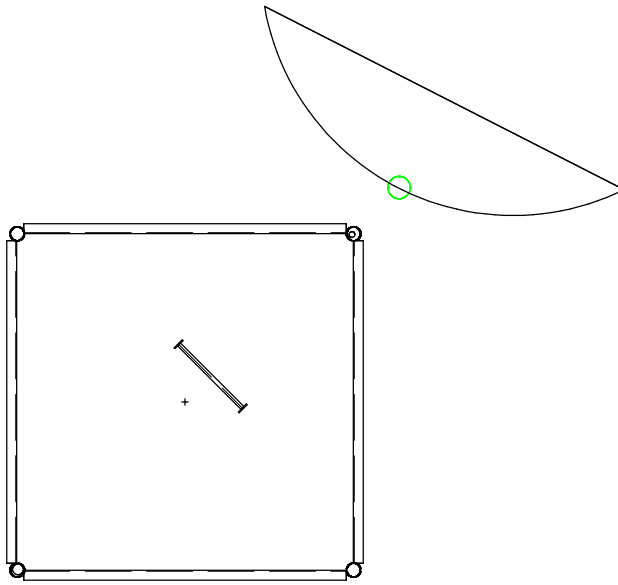
Location: Some City, New York

Total Height: 150.00'

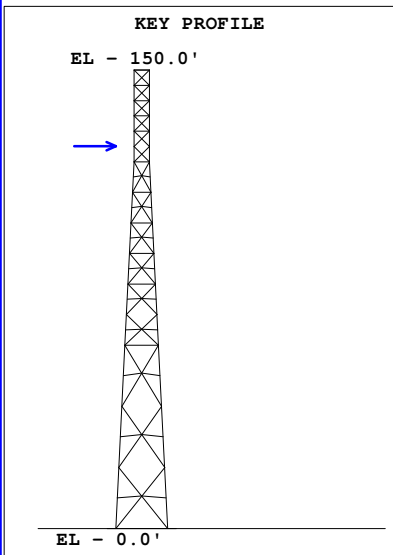
Tower Height: 150.00'

Standard: EIA-222-F

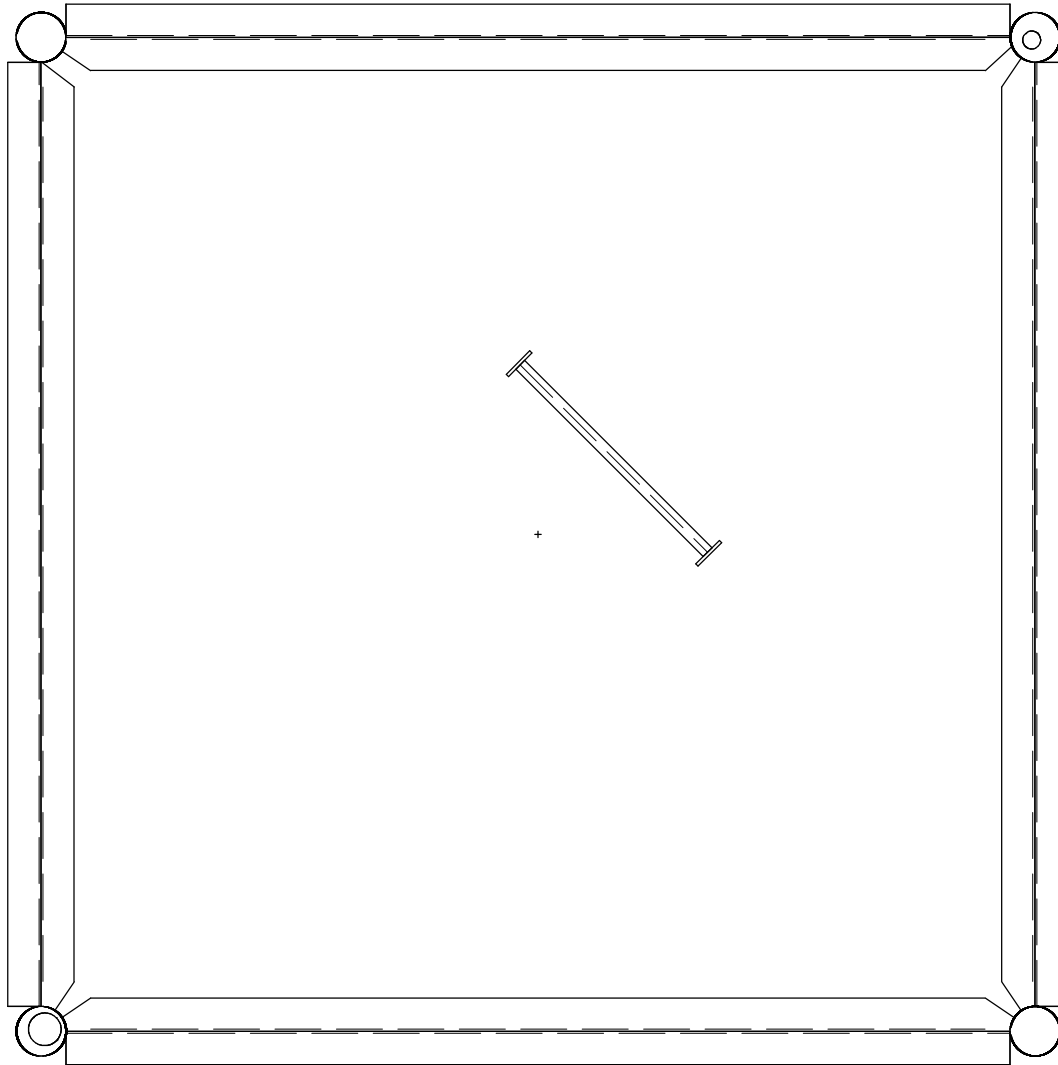
Design Wind & Ice: 100 mph, no ice



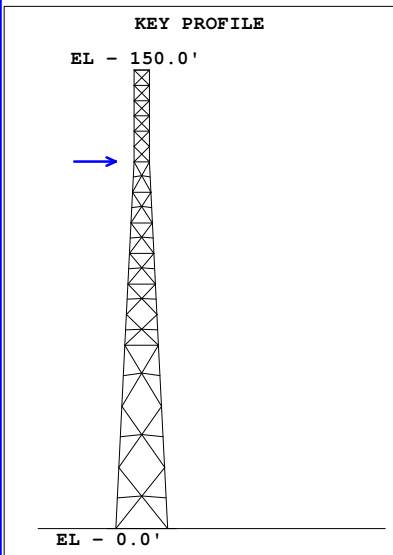
Plan - 3 El 125.00' Fw - 5.00'



	Since 1980	<b>Weisman Consultants Inc.</b>
	1110 Finch Avenue West, Suite 814, Downsview, Ontario M3J 2T2 towers@weisman-consultants.com Tel: (416) 736-7453 Fax: (416) 736-4372	
Client: WCI Client	Job No: 924233	Date: 24 sep 2004
Location: Some City, New York	Total Height: 150.00'	Tower Height: 150.00'
Standard: EIA-222-F	Design Wind & Ice: 100 mph, no ice	

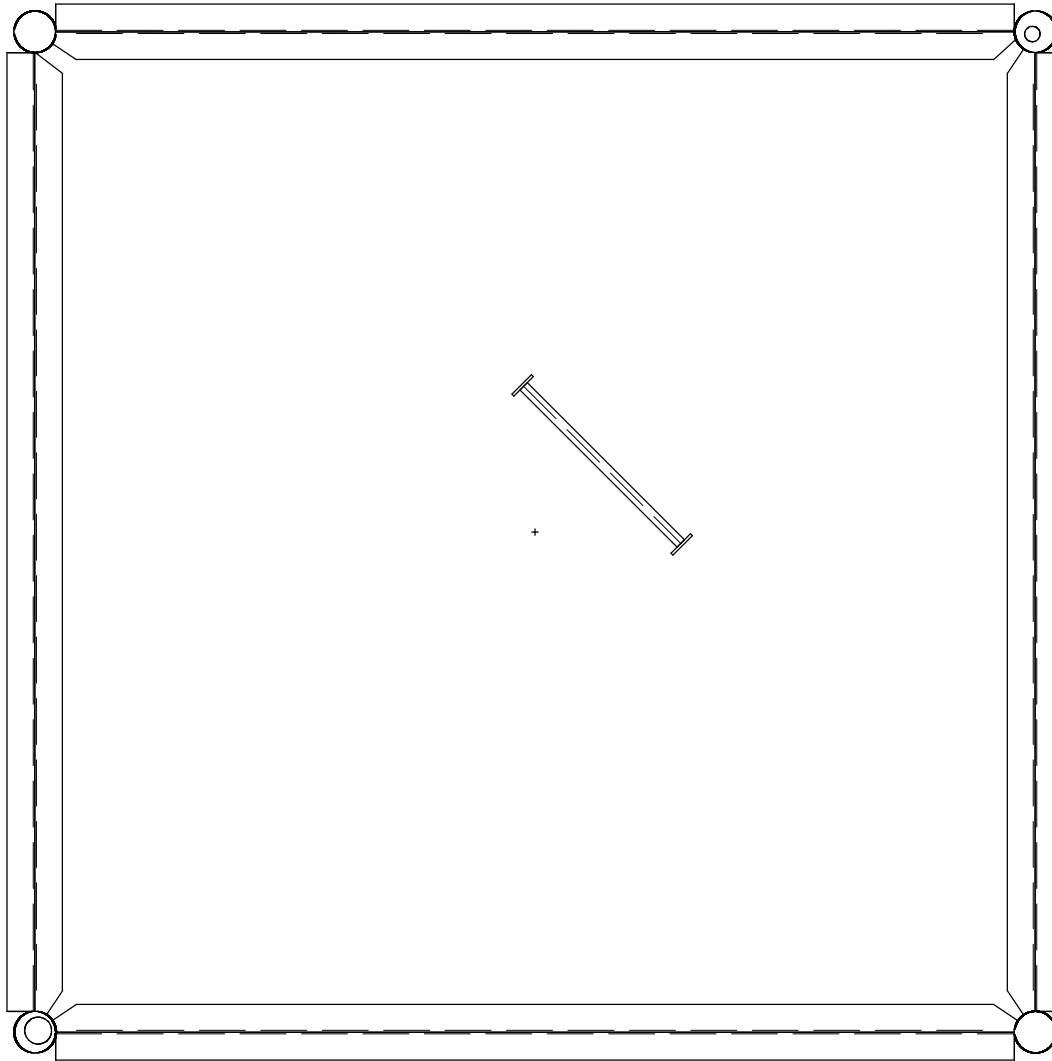


Plan - 4 El 120.00' Fw - 5.00'

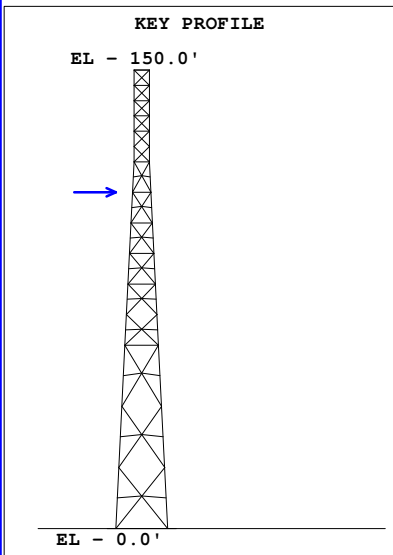



**Since 1980** **Weisman Consultants Inc.**  
 1110 Finch Avenue West, Suite 814, Downsview, Ontario M3J 2T2  
 towers@weisman-consultants.com Tel: (416) 736-7453 Fax: (416) 736-4372

Client: WCI Client	Job No: 924233	Date: 24 sep 2004
Location: Some City, New York	Total Height: 150.00'	Tower Height: 150.00'
Standard: EIA-222-F	Design Wind & Ice: 100 mph, no ice	

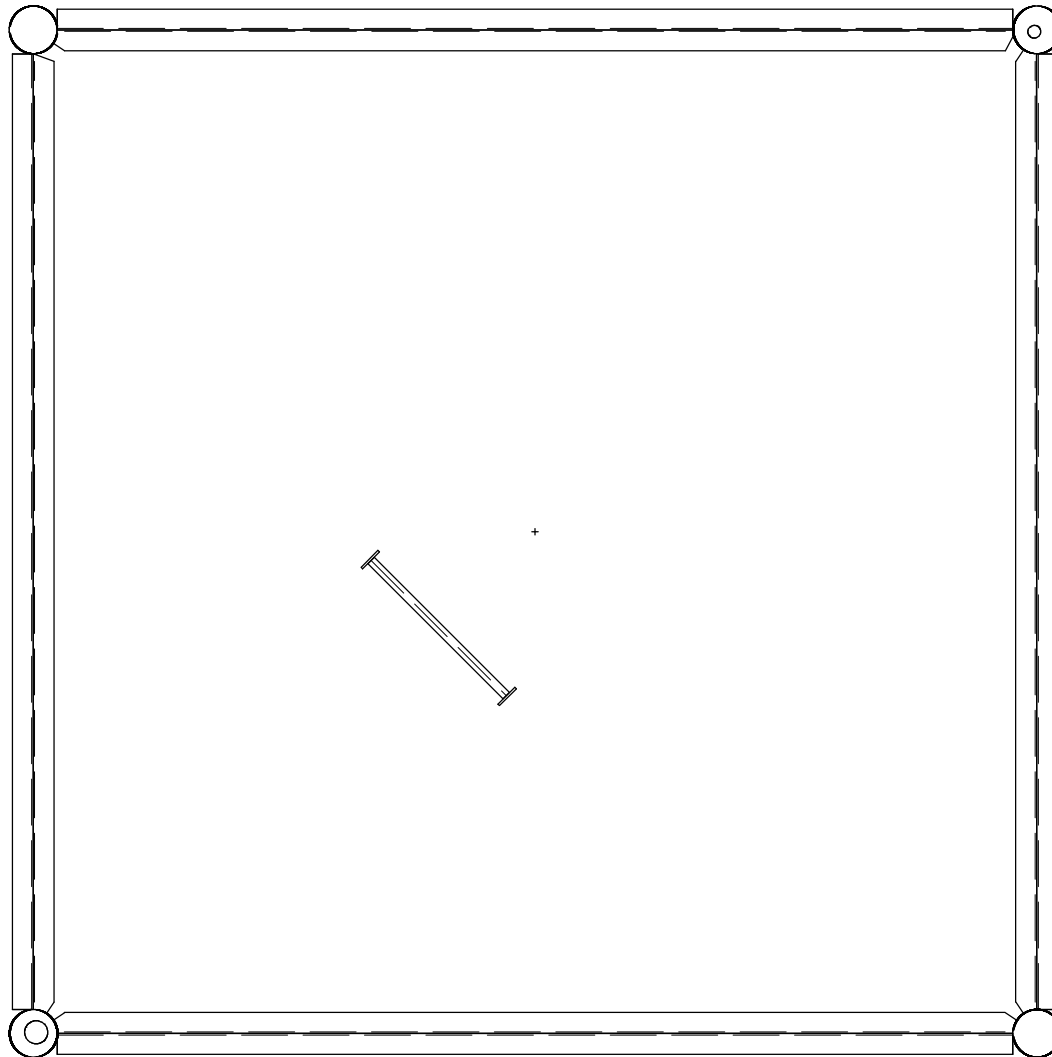


Plan - 5 El 110.00' Fw - 6.00'

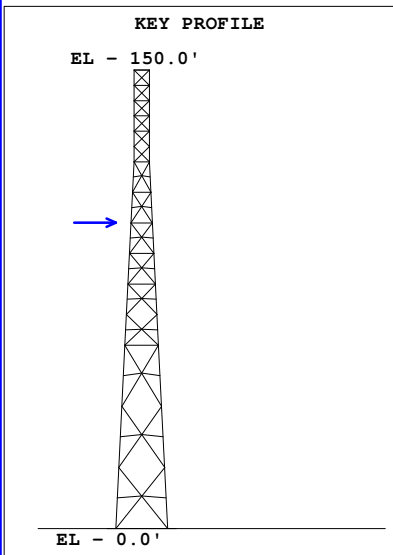


**W** Since 1980 **Weisman Consultants Inc.**  
 1110 Finch Avenue West, Suite 814, Downsview, Ontario M3J 2T2  
 towers@weisman-consultants.com Tel: (416) 736-7453 Fax: (416) 736-4372

Client: WCI Client	Job No: 924233	Date: 24 sep 2004
Location: Some City, New York	Total Height: 150.00'	Tower Height: 150.00'
Standard: EIA-222-F	Design Wind & Ice: 100 mph, no ice	

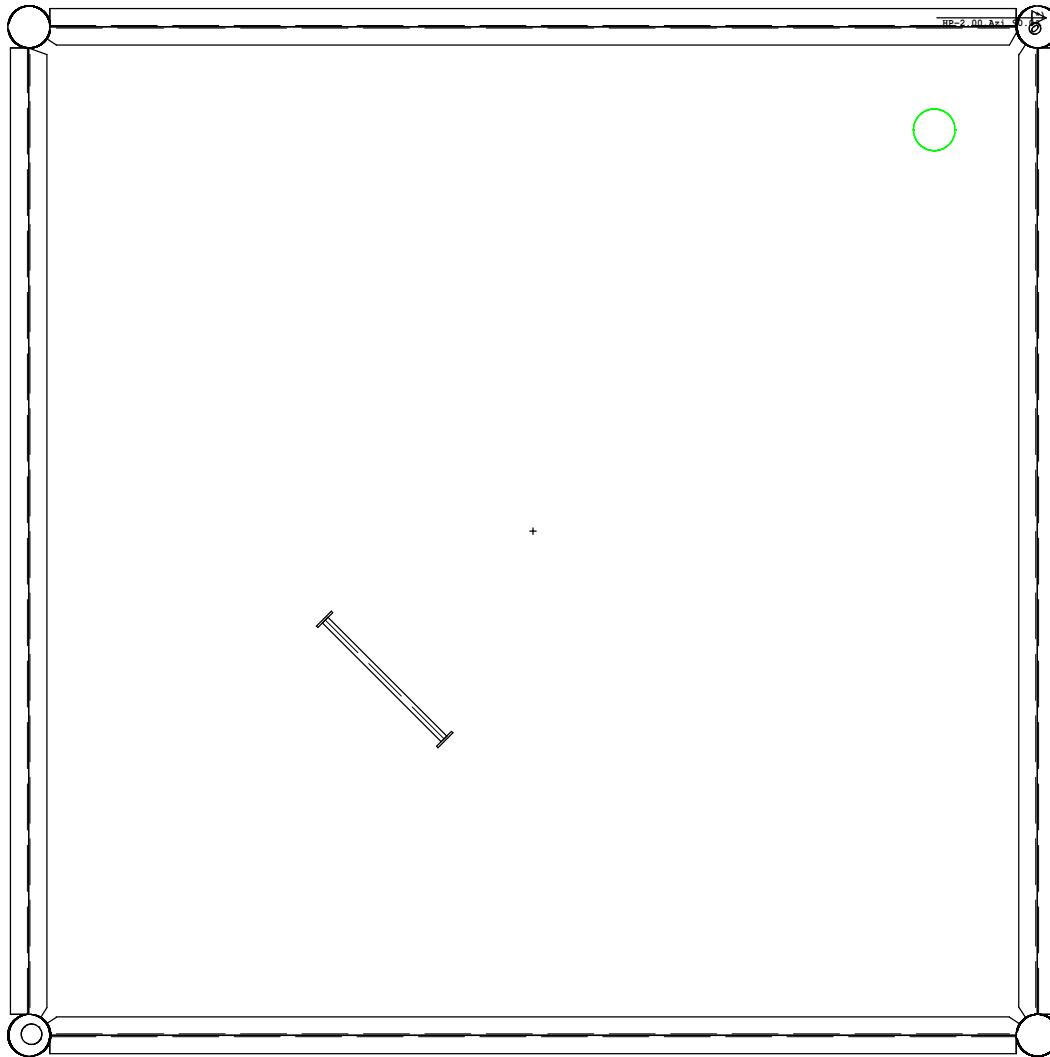


Plan - 6 El 100.00' Fw - 7.00'



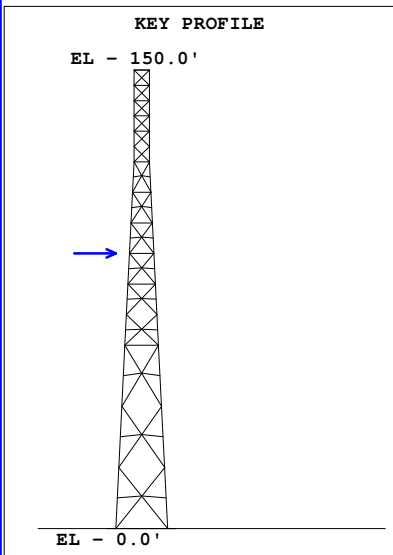
**W** Since 1980 **Weisman Consultants Inc.**  
 1110 Finch Avenue West, Suite 814, Downsview, Ontario M3J 2T2  
 towers@weisman-consultants.com Tel: (416) 736-7453 Fax: (416) 736-4372

Client: WCI Client	Job No: 924233	Date: 24 sep 2004
Location: Some City, New York	Total Height: 150.00'	Tower Height: 150.00'
Standard: EIA-222-F	Design Wind & Ice: 100 mph, no ice	

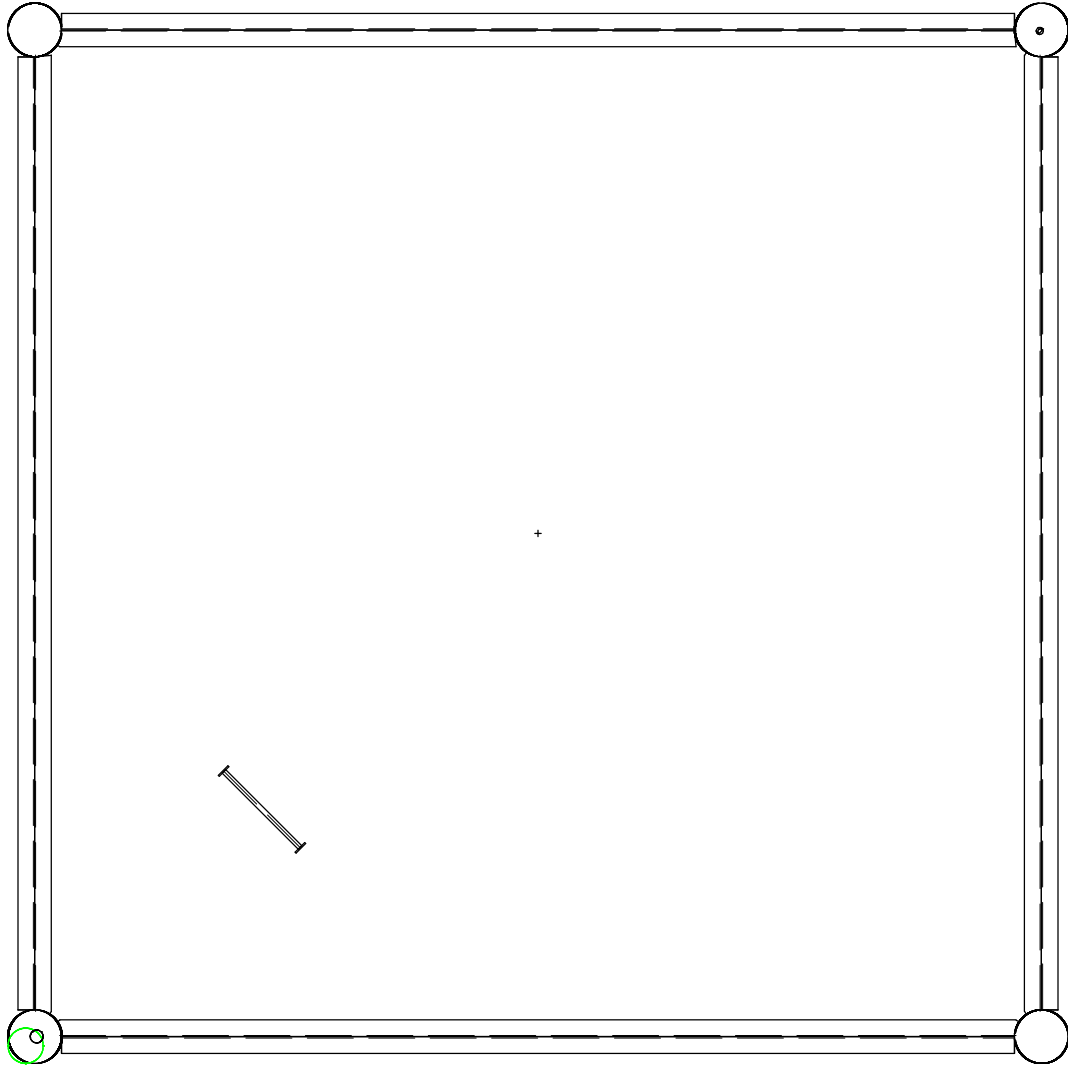


Plan - 7 El 90.00' Fw - 8.00'

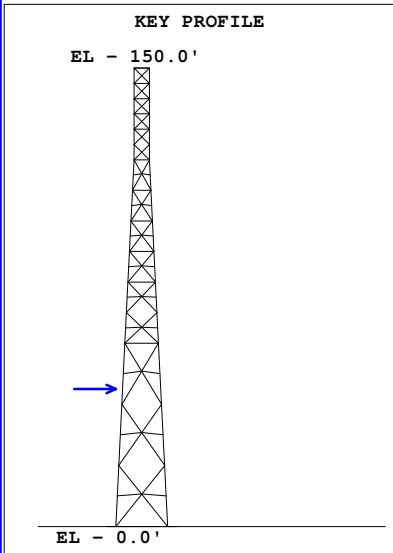
(\* The center of this antenna is not shown because the distance to it is too big to fit this page.



	<p>Since 1980</p> <p><b>Weisman Consultants Inc.</b></p> <p>1110 Finch Avenue West, Suite 814, Downsview, Ontario M3J 2T2  towers@weisman-consultants.com Tel: (416) 736-7453 Fax: (416) 736-4372</p>								
	<table border="0"> <tr> <td>Client: WCI Client</td> <td>Job No: 924233</td> <td>Date: 24 sep 2004</td> </tr> <tr> <td>Location: Some City, New York</td> <td>Total Height: 150.00'</td> <td>Tower Height: 150.00'</td> </tr> <tr> <td>Standard: EIA-222-F</td> <td colspan="2">Design Wind &amp; Ice: 100 mph, no ice</td> </tr> </table>	Client: WCI Client	Job No: 924233	Date: 24 sep 2004	Location: Some City, New York	Total Height: 150.00'	Tower Height: 150.00'	Standard: EIA-222-F	Design Wind & Ice: 100 mph, no ice
Client: WCI Client	Job No: 924233	Date: 24 sep 2004							
Location: Some City, New York	Total Height: 150.00'	Tower Height: 150.00'							
Standard: EIA-222-F	Design Wind & Ice: 100 mph, no ice								



Plan - 8 El 45.00' Fw - 12.50'



	<p>Since 1980</p> <p><b>Weisman Consultants Inc.</b></p> <p>1110 Finch Avenue West, Suite 814, Downsview, Ontario M3J 2T2  towers@weisman-consultants.com Tel: (416) 736-7453 Fax: (416) 736-4372</p>								
	<table border="0"> <tr> <td>Client: WCI Client</td> <td>Job No: 924233</td> <td>Date: 24 sep 2004</td> </tr> <tr> <td>Location: Some City, New York</td> <td>Total Height: 150.00'</td> <td>Tower Height: 150.00'</td> </tr> <tr> <td>Standard: EIA-222-F</td> <td colspan="2">Design Wind &amp; Ice: 100 mph, no ice</td> </tr> </table>	Client: WCI Client	Job No: 924233	Date: 24 sep 2004	Location: Some City, New York	Total Height: 150.00'	Tower Height: 150.00'	Standard: EIA-222-F	Design Wind & Ice: 100 mph, no ice
Client: WCI Client	Job No: 924233	Date: 24 sep 2004							
Location: Some City, New York	Total Height: 150.00'	Tower Height: 150.00'							
Standard: EIA-222-F	Design Wind & Ice: 100 mph, no ice								

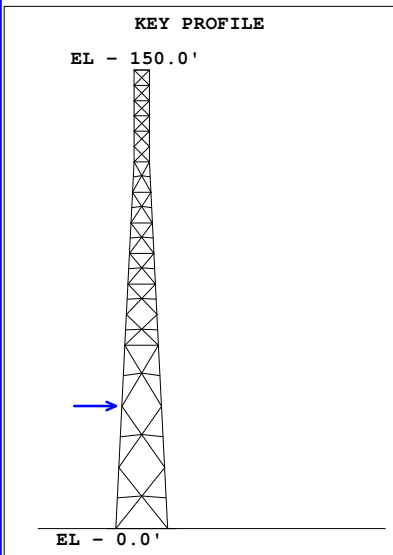




+



Plan - 9 El 40.00' Fw - 13.00'



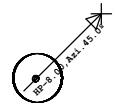
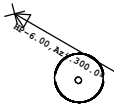

Since 1980

**Weisman Consultants Inc.**

1110 Finch Avenue West, Suite 814, Downsview, Ontario M3J 2T2  
 towers@weisman-consultants.com Tel: (416) 736-7453 Fax: (416) 736-4372

Client: WCI Client	Job No: 924233	Date: 24 sep 2004
Location: Some City, New York	Total Height: 150.00'	Tower Height: 150.00'
Standard: EIA-222-F	Design Wind & Ice: 100 mph, no ice	

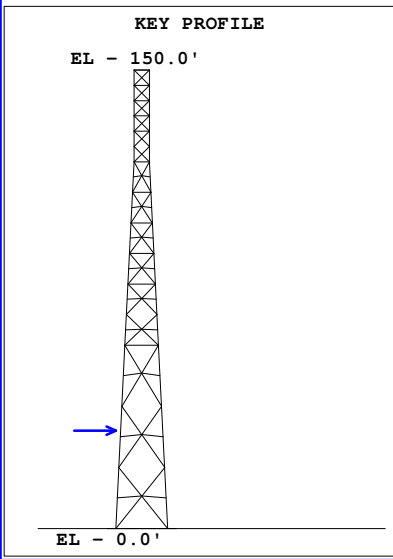
DRAMAFAST Version 1.2 (c) Guymast Inc. 1997 Phone: (416) 736-7453



+



Plan - 10 El 32.00' Fw - 13.80'




Since 1980

**Weisman Consultants Inc.**

1110 Finch Avenue West, Suite 814, Downsview, Ontario M3J 2T2  
 towers@weisman-consultants.com Tel: (416) 736-7453 Fax: (416) 736-4372

Client: WCI Client	Job No: 924233	Date: 24 sep 2004
Location: Some City, New York	Total Height: 150.00'	Tower Height: 150.00'
Standard: EIA-222-F	Design Wind & Ice: 100 mph, no ice	

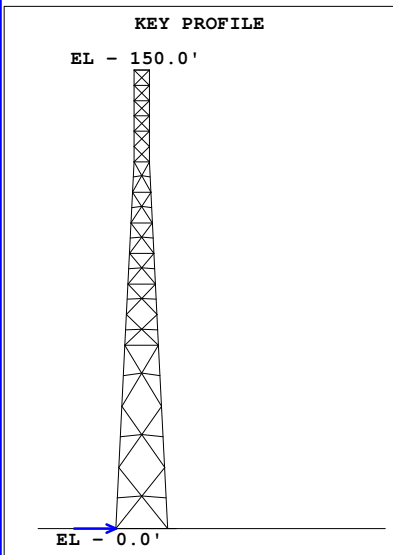
DRAMAFAST Version 1.2 (c) Guymast Inc. 1997 Phone: (416) 736-7453



+



Plan - 11 El 0.00' Fw - 17.00'



 Since 1980 **Weisman Consultants Inc.**  
 1110 Finch Avenue West, Suite 814, Downsview, Ontario M3J 2T2  
 towers@weisman-consultants.com Tel: (416) 736-7453 Fax: (416) 736-4372

Client: WCI Client	Job No: 924233	Date: 24 sep 2004
Location: Some City, New York	Total Height: 150.00'	Tower Height: 150.00'
Standard: EIA-222-F	Design Wind & Ice: 100 mph, no ice	